

Catalog Number: \_\_\_\_\_ Type: \_\_\_\_\_

Project: \_\_\_\_\_

Comments: \_\_\_\_\_ Date: \_\_\_\_\_

# High Lumen Floods Series



Yoke 75W, 90W, 150W, 190W



Slipfitter 75W, 90W, 150W, 190W



## Features

- Replace 100W to 750W Metal Halide Floods
- Available in 75W, 90W, 150W, and 190W
- NEMA Type 6x6 and 6x7 Beam Spreads
- Ultra Efficient up to 127 lumens per Watt
- Arch Yoke, and Slipfitter Knuckle Mount Options
- 70,000 to 120,000-Hour LED lifespan

The Halco Flood Series is one of the most affordable and versatile outdoor flood and site lighting solutions on the market today. The product itself is high performing to achieve maximum energy savings while maintaining a sleek and slim footprint. The slim footprint makes this product easily concealable while still delivering superior illumination on the desired application. The IP65 rated housing provides installers and end users the confidence that their new flood will withstand the harshest weather conditions. The Halco Floods are rated for long life and are backed by a 5-yr warranty.

## Applications

Schools, Parks, Building Facades, Statues, Monuments, Security Lighting, and General Area and Site Lighting.

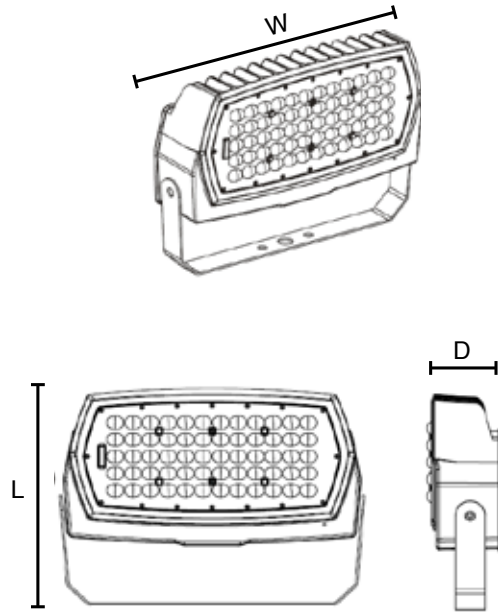
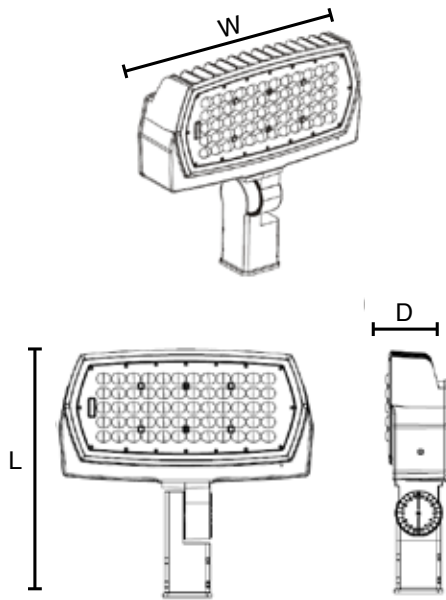
## Product Specification Table

Watt	75W	90W	150W	190W
Input Wattage	70	91	149	190
Lumens (4000K)	8,325	11,055	17,990	22,830
Lumens (5000K)	8,575	11,600	18,290	23,465
Efficacy (L/W)	118-122	121-127	120-122	120-123
Lumen Maintenance (50,000 hours)	0.8	0.76	0.9	0.9
Lumen Maintenance (100,000 hours)	0.63	0.58	0.8	0.8
Surge Suppressor Standard	6kV Standard Surge Protection			
Total Harmonic Distortion	<15%			
Input Voltage/Frequency	120-277VAC; 50/60HZ			
Input Current (MA)	120	90	122	123
CRI	>80			
Dimmable	Non-Dimmable	Non-Dimmable	0-10V Dimming	0-10V Dimming
Housing Material	Rigid Die Cast Aluminum housing for durability and consistency			
LED Manufacturer	Lumileds Luxeon			
Operating Temperature	-40°F(-40°C)-104°F(40°C)			
Certification	DLC Standard	DLC Standard	DLC Premium	DLC Premium
Safety Listing	cULus Listed, RoHs Compliant			
Wet Ratings	IP65, UL Wet Location			
Dimensions (in.)	12.04" x 6.41" x 2.9"		16" x 8.4" x 4"	
Weight (lbs)	9.4		18.72	



# High Lumen Floods Series

## Dimensions



Slipfitter Knuckle

Yoke

Watt	Dimensions	Watt	Dimensions
75W & 90W	D-2.9" x W-12.04" x L-12.6"	75W & 90W	D-2.9" x W-12.04" x L-8.7"
150W & 190W	D-4" x W-16" x L-15.04"	150W & 190W	D-4" x W-16" x L-11.5"

## Ordering Information

Ordering Code	Product Number	Voltage	Wattage	Color Temp	Ordering Code	Product Number	Voltage	Wattage	Color Temp
99670	FL3/CL75BZ50U/YK	120-277V	75	5000K	99678	FL3/CL75BZ40U/YK	120-277V	75	4000K
99671	FL3/CL75BZ50U/SF	120-277V	75	5000K	99679	FL3/CL75BZ40U/SF	120-277V	75	4000K
99672	FL3/CL90BZ50U/YK	120-277V	90	5000K	99680	FL3/CL90BZ40U/YK	120-277V	90	4000K
99673	FL3/CL90BZ50U/SF	120-277V	90	5000K	99681	FL3/CL90BZ40U/SF	120-277V	90	4000K
99674	FL4/CL150BZ50U/YK	120-277V	150	5000K	99682	FL4/CL150BZ40U/YK	120-277V	150	4000K
99675	FL4/CL150BZ50U/SF	120-277V	150	5000K	99683	FL4/CL150BZ40U/SF	120-277V	150	4000K
99676	FL4/CL200BZ50U/YK	120-277V	200	5000K	99684	FL4/CL200BZ40U/YK	120-277V	200	4000K
99677	FL4/CL200BZ50U/SF	120-277V	200	5000K	99685	FL4/CL200BZ40U/SF	120-277V	200	4000K

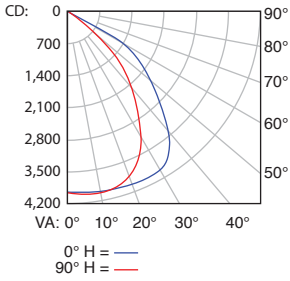
## Ordering Table

Example: FL4/CL200BZ50U/YK							
HOUSING		WATTAGE	FINNISH	CCT	VOLTAGE	MOUNTING	OPTIONS
FL4	CL	200	BZ	50	U	YK	PC
FL3=LARGE FLOOD FL4=EXTRA LARGE FLOOD"		75=75 WATTS 90=90 WATTS 150=150 WATTS 200=190 WATTS	BZ=BRONZE	40=4000K 50=5000K	U=120-277VAC	SF=SLIPFITTER KNUCKLE YK=ARCH YOKE	PC=BUTTON PHOTOCELL

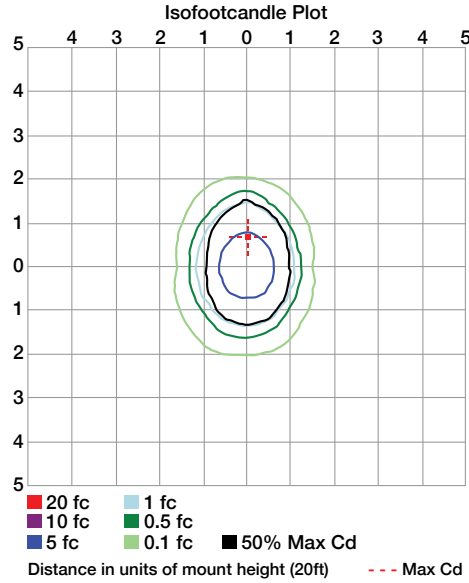
# High Lumen Floods Series

## Photometrics

**Polar Candela**  
75W ISO FC\_15ft



**ISO Footcandle plot**  
75W ISO FC\_15ft



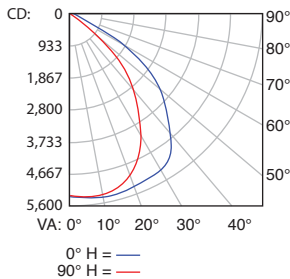
**Zonal Lumen Summary**

Zones	Lumens	% Lamp	%Luminaire
0-30	3,296.2	38.3%	38.3%
0-40	5,412.4	62.9%	62.9%
0-60	8,258.3	96.0%	96.0%
60-90	335.1	3.9%	3.9%
70-100	79.5	0.9%	0.9%
90-120	2.2	0%	0%
0-90	8,593.4	99.9%	99.9%
90-180	9.2	0.1%	0.1%
0-180	8,602.6	100%	100%

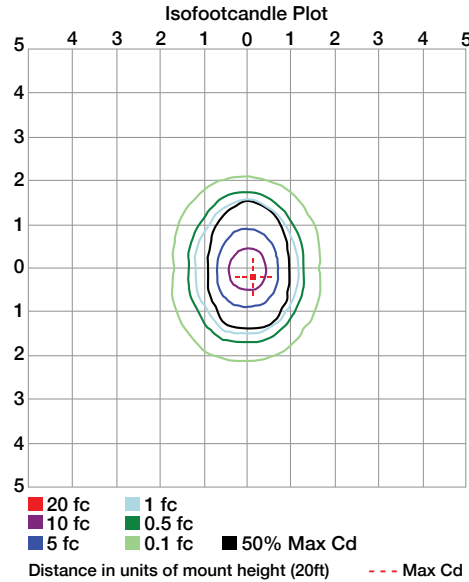
**Lumens Per Zone**

Zones	Lumens	% Total	Zones	Lumens	% Total
0-10	379.0	4.4%	100-110	1.2	0%
10-20	1,138.8	13.2%	110-120	0.4	0%
20-30	1,778.3	20.7%	110-120	0.6	0%
30-40	2,116.3	24.6%	120-130	0.9	0%
40-50	1,848.9	21.5%	130-140	1.3	0%
50-60	997.0	11.6%	140-150	1.7	0%
60-70	256.8	3.0%	150-160	1.7	0%
70-80	60.5	0.7%	160-170	1.1	0%
80-90	17.7	0.2%	170-180	0.4	0%

**Polar Candela**  
90W ISO FC\_15ft



**ISO Footcandle plot**  
90W ISO FC\_15ft



**Zonal Lumen Summary**

Zones	Lumens	% Lamp	%Luminaire
0-30	4,423.1	38%	38%
0-40	7,234.3	62.1%	62.1%
0-60	11,154.6	95.8%	95.8%
60-90	472.3	4.1%	4.1%
70-100	126.2	1.1%	1.1%
90-120	3.4	0.0%	0.0%
0-90	11,626.9	99.9%	99.9%
90-180	12.8	0.1%	0.1%
0-180	11,639.7	100%	100%

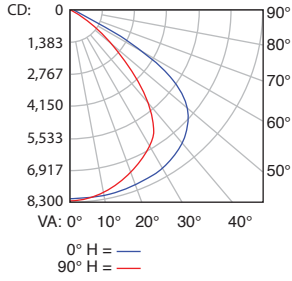
**Lumens Per Zone**

Zones	Lumens	% Total	Zones	Lumens	% Total
0-10	515.5	4.4%	100-110	2.1	0%
10-20	1,533.2	13.2%	110-120	0.5	0%
20-30	2,374.4	20.4%	110-120	0.8	0%
30-40	2,811.2	24.2%	120-130	1.2	0%
40-50	2,509.0	21.6%	130-140	1.7	0%
50-60	1,411.3	12.1%	140-150	2.3	0%
60-70	348.2	3.0%	150-160	2.3	0%
70-80	94.1	0.8%	160-170	1.5	0%
80-90	30.1	0.3%	170-180	0.5	0%

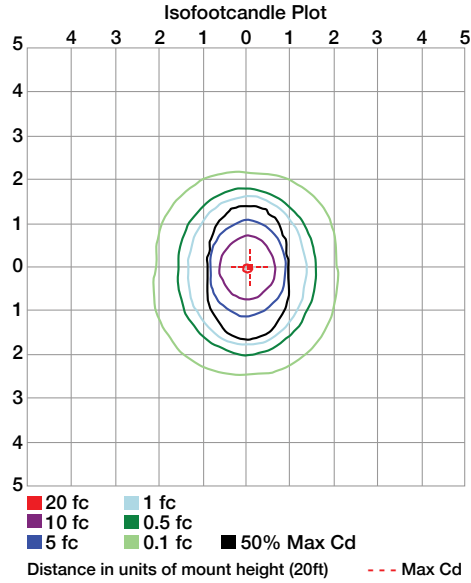
# High Lumen Floods Series

## Photometrics

**Polar Candela**  
150W ISO FC\_15ft



**ISO Footcandle plot**  
150W ISO FC\_15ft



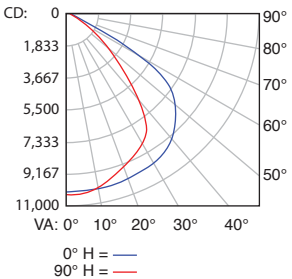
**Zonal Lumen Summary**

Zones	Lumens	% Lamp	% Luminaire
0-30	6,387.5	34.9%	34.9%
0-40	10,626.1	58.1%	58.1%
0-60	17,124.3	93.6%	93.6%
60-90	1,123.6	6.1%	6.1%
70-100	295.8	1.6%	1.6%
90-120	13.7	0.1%	0.1%
0-90	18,248.0	99.7%	99.7%
90-180	43.3	0.2%	0.2%
0-180	18,291.2	100%	100%

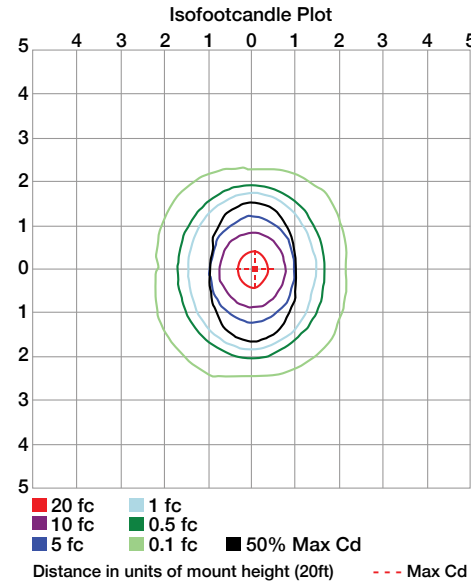
**Lumens Per Zone**

Zones	Lumens	% Total	Zones	Lumens	% Total
0-10	767.5	4.2%		8.5	0%
10-20	2,206.9	12.1%	100-110	1.7	0%
20-30	3,413.2	18.7%	110-120	3.5	0%
30-40	4,238.6	23.2%	120-130	5.5	0%
40-50	3,940.4	21.5%	130-140	6.8	0%
50-60	2,557.8	14.0%	140-150	6.8	0%
60-70	836.4	4.6%	150-160	5.7	0%
70-80	221.1	1.2%	160-170	3.6	0%
80-90	66.1	0.4%	170-180	1.2	0%

**Polar Candela**  
190W ISO FC\_15ft



**ISO Footcandle plot**  
190W ISO FC\_15ft



**Zonal Lumen Summary**

Zones	Lumens	% Lamp	% Luminaire
0-30	6,387.5	34.9%	34.9%
0-40	10,626.1	58.1%	58.1%
0-60	17,124.3	93.6%	93.6%
60-90	1,123.6	6.1%	6.1%
70-100	295.8	1.6%	1.6%
90-120	13.7	0.1%	0.1%
0-90	18,248.0	99.7%	99.7%
90-180	43.3	0.2%	0.2%
0-180	18,291.2	100%	100%

**Lumens Per Zone**

Zones	Lumens	% Total	Zones	Lumens	% Total
0-10	969.5	4.1%		10.0	0%
10-20	2,788.6	11.9%	100-110	2.3	0%
20-30	4,298.4	18.3%	110-120	4.7	0%
30-40	5,364.9	22.9%	120-130	7.2	0%
40-50	5,108.5	21.8%	130-140	8.8	0%
50-60	3,405.2	14.5%	140-150	8.8	0%
60-70	1,107.5	4.7%	150-160	7.4	0%
70-80	279.3	1.2%	160-170	4.7	0%
80-90	84.5	0.4%	170-180	1.6	0%