



LED LUMINAIRES

Halco Slim Canopy Series



California
Title 24



UL Rated



CE



RoHS
Compliant



5 Year
Warranty



FCC



DLC Premium

The Slim Canopy is a high performing luminaire ideal for parking garage and general canopy applications. The CSP Series is built with a low-profile housing and precision, tamper-proof lens. It is an energy efficient solution replacing up to 400W HID luminaires. The Halco canopy is the ideal retrofit solutions delivering all-around cost savings and virtually no future maintenance costs.



**DLC Premium for Parking
Garage Luminaires**

**Compact, Lightweight
Housing**

**Easy to Install Mounting
Plate**

**Innovative Die-Cast Body
& Heat Sink**

**One Size, Multiple
Lumen Packages**

**Anti-Tamper,
Shatterproof Lens**

Applications:

- Parking Garage
- Breeze Ways
- Canopy Overhangs
- Low Bay Applications



Contact Your Customer Care Specialist
For Pricing, Orders And Technical Support.
800.677.3334 www.halcolighting.com

Halco Slim Canopy Series

Product #: _____ Type: _____

Project: _____ Date: _____

Comments: _____ Initials: _____

Performance

- 3 wattages, 1 size, multiple lumen packages
- LEDs are rated for greater than 100,000 hour life with calculated lumen maintenance >70% (L70) at 25°C.
- 0-10V dimmable driver standard available in 120-277V
- 40° to +50°C Ambient Operating Temperature
- Power Factor > 0.9
- 4kV Surge Protection

Design

- Designed for the harshest elements
- Low profile, architectural design
- Lens designed to deliver light where it's needed while enhancing visual comfort
- Designed for easy installation

Construction

- IK 09 Die Cast Aluminum Housing with Integral Heat Sink for Heat Dissipation
- Shatterproof polycarbonate lens
- High Efficiency, recessed optics for increased visual comfort

Environment

- IP65 Rated
- UL Wet Location Listed
- RoHs Compliant
- Meets FCC Part 15, Subpart B, Class A standards for conducted and radiated emissions

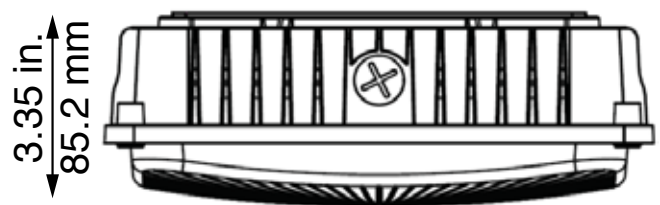
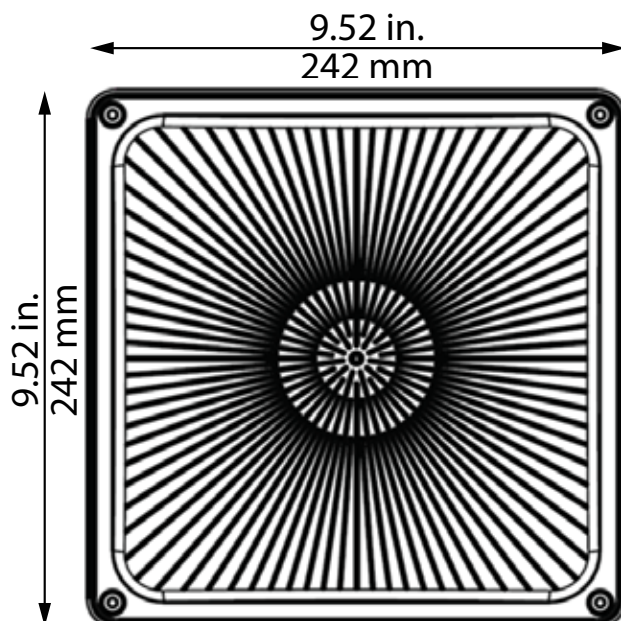
Certification

- All luminaires are built to UL1598 standards, and bear appropriate cULus labels for wet location
- DLC Premium Listed for Parking Garage Luminaires

Options

- Internal, high frequency motion sensor
- 8W Emergency Battery Backup

Dimensions



Halco Slim Canopy Series

Product #: _____ Type: _____

Project: _____ Date: _____

Comments: _____ Initials: _____

Specification Table

Rated Wattage	28	40	60
Equivalent Wattage	150W	175W	250W
Power Factor	> 0.9		
L70 Lifetime*	>100,000 hrs		
Input Voltage	120-277VAC		
Total Harmonic Distortion (THD)	< 15		
Surge Protection	4kV surge suppression protection tested in accordance with IEEE/ANSI C62.41.2		
Mounting Options	Surface Mount		
CCT	4000K, 5000K		
Warranty	Halco Standard 5 Year, 10 Year Available		
Finish	Bronze		
Wet	IP65 and UL Wet Listing		

*Useful Life is defined as the point in time at which the lamp will maintain at least 70% of its initial lumens. The lamp will continue to operate past this point at decreased light levels.

**IP rated as "dust tight" and protected against water projected from a nozzle. May not be compatible with all dimming systems, dimming performance may vary by system.

Warranty – Commercial / Industrial: This product is warranted for 5 years from the date of purchase. ** Check the latest update at www.DesignLights.org for listed product catalog numbers. Not all versions are listed.

Electrical Performance

					4000K	5000K
	Rated Wattage	Frequency	Current	Power Factor	Lumens	Lumens
CSP/28UXX	28W	50/60Hz	.32A	0.9	3267	3364
CSP/40UXX	40W	50/60Hz	.4A	0.9	4718	4760
CSP/60UXX	60W	50/60Hz	.8A	0.9	7088	7088

Ordering Information

Watt	Product Number	Product Code	Product Description
28	10284	CSP/28U40	Slim Parking Garage Canopy; 28W, 120-277V, 4000K
40	10285	CSP/40U40	Slim Parking Garage Canopy; 40W, 120-277V, 4000K
60	10286	CSP/60U40	Slim Parking Garage Canopy; 60W, 120-277V, 4000K
28	10287	CSP/28U50	Slim Parking Garage Canopy; 28W, 120-277V, 5000K
40	10288	CSP/40U50	Slim Parking Garage Canopy; 40W, 120-277V, 5000K
60	10289	CSP/60U50	Slim Parking Garage Canopy; 60W, 120-277V, 5000K
28	10290	CSP/28U40/MS	Slim Parking Garage Canopy; 28W, 120-277V, 4000K, Bi-Level Motion Sensor
40	10291	CSP/40U40/MS	Slim Parking Garage Canopy; 40W, 120-277V, 4000K, Bi-Level Motion Sensor
60	10292	CSP/60U40/MS	Slim Parking Garage Canopy; 60W, 120-277V, 4000K, Bi-Level Motion Sensor
28	10293	CSP/28U50/MS	Slim Parking Garage Canopy; 28W, 120-277V, 5000K, Bi-Level Motion Sensor
40	10294	CSP/40U50/MS	Slim Parking Garage Canopy; 40W, 120-277V, 5000K, Bi-Level Motion Sensor
60	10295	CSP/60U50/MS	Slim Parking Garage Canopy; 60W, 120-277V, 5000K, Bi-Level Motion Sensor

Accessories

Product Number	Product Code	Product Description
10297	CSBBU/KIT	Emergency Battery Backup Kit; 8W, 90 Power Time
20283	RM/MH02	Remote Programmer for Bi-Level Motion Sensor
10296	CSC/LENS	CSP Series Slim Canopy; Canopy Distribution Lens

Halco Slim Canopy Series

Product #: _____ Type: _____

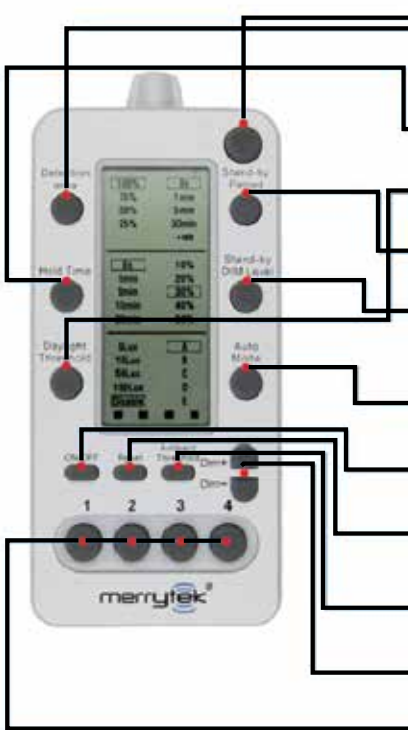
Project: _____ Date: _____

Comments: _____ Initials: _____

Bi-Level Motion Sensor & Remote Technical Specifications

Button	Name	Description
28Input	Input Voltage Range	108-305VAC
	Rated Input Voltage	120/277VAC
	Stand-by Power	< 1.0W
	Wiring Method	Push terminal
Output	Operating Mode	ON/OFF 0-10V
	Load Power	3.6A@120VAC; 3.4A@277VAC
	1-10V Dimming	< 50mA (Non constant current source)
	Wiring Method	Push Terminal
Sensor Parameters	HF Operating frequency	5.8 GHz ±75 MHz, ISM Wave Band.
	HF Radiated power	0.5mW Max.
	Detection Area	100%/75%/50%/25% (Remote Control: 100%/75%/50%/25%)
	Hold time	8S/30S/1min/5min/10min/15min/30min (Remote Control: 8S/1min/5min/15min/30min)
	Stand-by Period	0S/1min/3min/5min/10min/30min/+∞ (Remote Control: 0S/1min/5min/30min/+∞)
	Daylight Sensor	5lux/15Lux/30Lux/50Lux/100lux/150lux/Disable (Remote Control: 5lux/15Lux/50Lux/150lux/Disable)
	Stand-by Dim Level	10%/20%/30%/40% (Remote Control: 10%/20%/30%/40%/50%)
	Detection Distance Diameter*Height	12m*8m (Max.)
Operating	Operating temperature	-35°C~70°C

Remote Control MH02



Button	Name	Description										
○	Transmit	Upload the settings										
○	Detection Area	25%/50%/75%/100%										
○	Hold Time	The Timeout fro 100% to dim 8S/1 min/5 min/15 min/30 min										
○	Daylight Threshold	5 Lux/15Lux/50Lux/150Lux/Disable										
○	Stand-by Period	The timeout from dim to off 0S/1 min/5 min/30 min/+										
○	Stand-by DIM level	10%/20%/30%/40%/50%										
○	Auto Mode	A. Movement Motion detects 9.8ft-19.7ft/3-6m B. Presence detects 9.8ft-19.7ft/3-6m C. Presence detect with daylight harvesting 9.8ft-19.7ft/3-6m D. Highlight Mounting: 19.7ft-49.2ft/6-15m E. Highlight Mounting with daylight harvesting: 19.7ft- 49.2ft/6-15m										
○	ON-OFF	Permanent ON/OFF										
○	Reset	Press "Reset" button for factory testing purpose only. <table border="1"> <thead> <tr> <th>Detection Area</th> <th>Hold Time</th> <th>Daylight Sensor</th> <th>Stand-by Period</th> <th>Stand-by dim level</th> </tr> </thead> <tbody> <tr> <td>100%</td> <td>1 Min</td> <td>Disable</td> <td>3 min</td> <td>20%</td> </tr> </tbody> </table>	Detection Area	Hold Time	Daylight Sensor	Stand-by Period	Stand-by dim level	100%	1 Min	Disable	3 min	20%
Detection Area	Hold Time	Daylight Sensor	Stand-by Period	Stand-by dim level								
100%	1 Min	Disable	3 min	20%								
○	Ambient Threshold	Press this button to set the current suitable daylight threshold.										
⊕ ⊖	Dim+ / Dim-	Adjust the light level when motion detected.										
○○○○	*1/2/3/4	4 optional quick settings										

Halco Slim Canopy Series

Product #: _____ Type: _____

Project: _____ Date: _____

Comments: _____ Initials: _____

Photometric Report

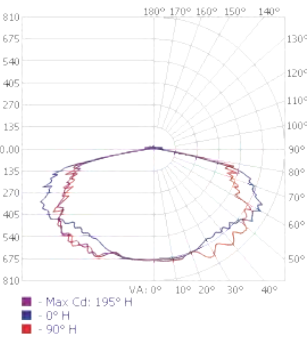
Please download IES reports for complete photometric data.

LEGEND

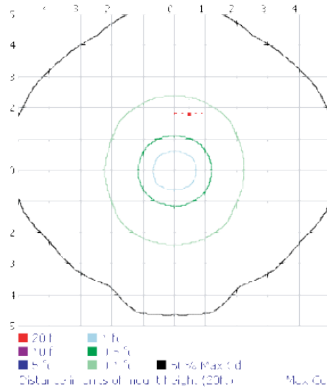


28 WATT

Polar Candela Distribution



Isofootcandle Plot

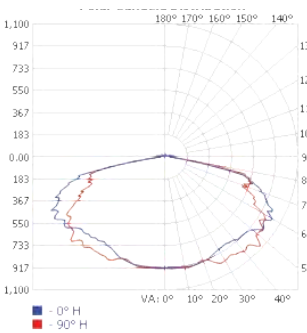


ZONE	LUMENS	% LAMP	% LUMINAIRE
0-30	580.2	15.9%	15.9%
0-40	1,018.8	28%	28%
0-60	2,217.6	60.9%	60.9%
60-90	1,306.3	35.9%	35.9%
70-100	690.5	19%	19%
90-120	76.1	2.1%	2.1%
0-90	3,523.9	96.8%	96.8%
90-180	114.6	3.1%	3.1%
0-180	3,638.5	100%	100%

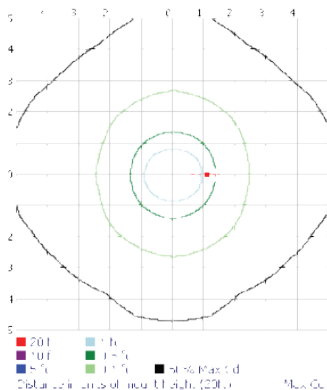
ZONE	LUMENS	% TOTAL	ZONE	LUMENS	% TOTAL
0-10	65.3	1.8%	90-100	39.6	1.1%
10-20	194.6	5.3%	100-110	22.5	0.6%
20-30	320.2	8.8%	110-120	14.0	0.4%
30-40	438.6	12.1%	120-130	10.9	0.3%
40-50	553.5	15.2%	130-140	9.1	0.2%
50-60	645.3	17.7%	140-150	7.6	0.2%
60-70	655.5	18.0%	150-160	5.9	0.2%
70-80	533.2	14.7%	160-170	3.7	0.1%
80-90	117.7	3.2%	170-180	1.3	0%

40 WATT

Polar Candela Distribution



Isofootcandle Plot

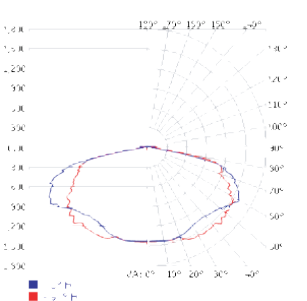


ZONE	LUMENS	% LAMP	% LUMINAIRE
0-30	777.0	15.9%	15.9%
0-40	1,363.0	27.8%	27.8%
0-60	2,991.0	61%	61%
60-90	1,752.2	35.8%	35.8%
70-100	924.1	18.9%	18.9%
90-120	104.8	2.1%	2.1%
0-90	4,743.2	96.8%	96.8%
90-180	156.6	3.2%	3.2%
0-180	4,899.8	100%	100%

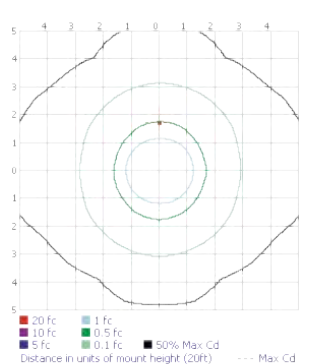
ZONE	LUMENS	% TOTAL	ZONE	LUMENS	% TOTAL
0-10	87.8	1.8%	90-100	54.0	1.1%
10-20	261.8	5.3%	100-110	31.4	0.6%
20-30	427.4	8.7%	110-120	19.4	0.4%
30-40	586.0	12.0%	120-130	14.8	0.3%
40-50	750.3	15.3%	130-140	12.2	0.2%
50-60	877.7	17.9%	140-150	10.2	0.2%
60-70	882.1	18.0%	150-160	8.0	0.2%
70-80	711.1	14.5%	160-170	5.1	0.1%
80-90	159.1	3.2%	170-180	1.7	0%

60 WATT

Polar Candela Distribution



Isofootcandle Plot



ZONE	LUMENS	% LAMP	% LUMINAIRE
0-30	580.2	15.9%	15.9%
0-40	1,018.8	28%	28%
0-60	2,217.6	60.9%	60.9%
60-90	1,306.3	35.9%	35.9%
70-100	690.5	19%	19%
90-120	76.1	2.1%	2.1%
0-90	3,523.9	96.8%	96.8%
90-180	114.6	3.1%	3.1%
0-180	3,638.5	100%	100%

ZONE	LUMENS	% TOTAL	ZONE	LUMENS	% TOTAL
0-10	65.3	1.8%	90-100	39.6	1.1%
10-20	194.6	5.3%	100-110	22.5	0.6%
20-30	320.2	8.8%	110-120	14.0	0.4%
30-40	438.6	12.1%	120-130	10.9	0.3%
40-50	553.5	15.2%	130-140	9.1	0.2%
50-60	645.3	17.7%	140-150	7.6	0.2%
60-70	655.5	18.0%	150-160	5.9	0.2%
70-80	533.2	14.7%	160-170	3.7	0.1%
80-90	117.7	3.2%	170-180	1.3	0%