



## LED LUMINAIRES

### LED Vaportight Commercial Series



High Performance LED Technology



IP65 Rated



50,000 Hour Life



Instant On



DLC QPL Listed

Long-lasting, low maintenance, energy efficient replacements for linear fluorescent



**50% Instant Energy Savings vs. T8 Fluorescent**

**IP65 Rated**

**Rated for 50°C Applications**

**5-Year Warranty**

**Applications:**

- Stairwells
- Warehouse
- Gas Station
- Parking Garage
- Manufacturing

**Markets:**

- Commercial
- Industrial



Contact Your Customer Care Specialist For Pricing, Orders And Technical Support.

800.677.3334 [www.halcolighting.com](http://www.halcolighting.com)

# LED Vaportight Commercial Series

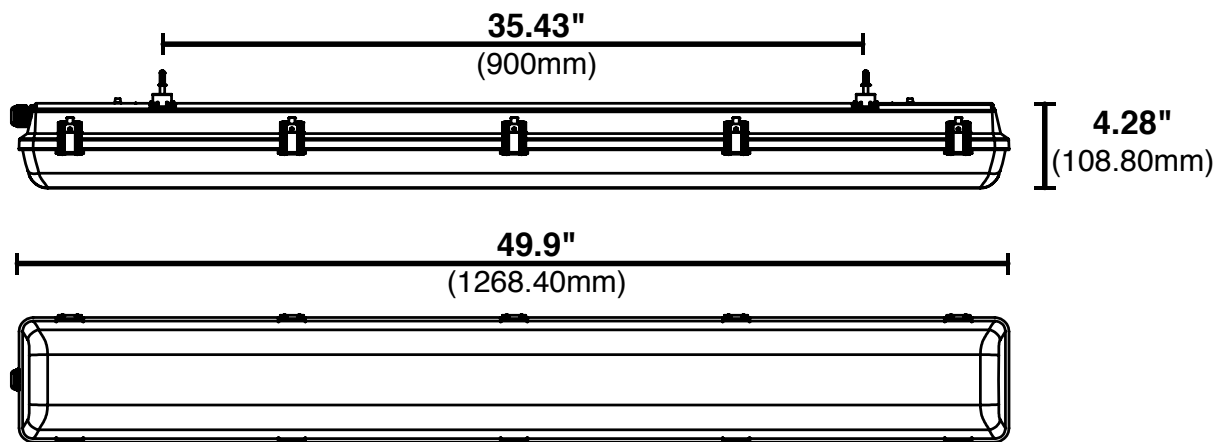
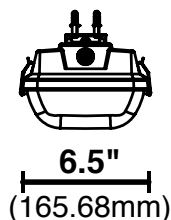
Product #: \_\_\_\_\_ Type: \_\_\_\_\_

Project: \_\_\_\_\_ Date: \_\_\_\_\_

Comments: \_\_\_\_\_ Initials: \_\_\_\_\_

## Specifications

- Ceiling or wall mounting for application versatility
- Back and end knockouts for wiring flexibility
- Omnidirectional distribution provides broad, uniform lighting
- Gray finish lightweight polycarbonate housing
- Operating temperature range is -20°C (-4°F) to 50°C (122°F)
- IP65 rated
- Stainless steel clips
- Frosted polycarbonate lens box covering type



## Ordering Information



Watt	Product #	Product Code	Volts	Color Temp.	CRI	Lumens	Useful Life*	Pkg. Qty.	Dimmable	DLC Code	Equivalent Wattage
48	99631	LVT4CL48/850/5S/LED	100-277V	5000K	80	5580	50,000	6	0-10V	PLCKPC149ZSF	3-lamp (T8) 96W

IP65 Rated luminaires are rated for use outdoors where exposed directly to water from rain or irrigation.

\* Useful Life is defined as the point in time at which the lamp will maintain at least 70% of its initial lumens. The lamp will continue to burn past this point, but at decreased light levels.

Warranty – Commercial / Industrial: This product is warranted for 5 years from the date of purchase.

\*\* Check the latest update at [www.DesignLights.org](http://www.DesignLights.org) for listed product catalog numbers. Not all versions are listed.

\*\*\* Mounting hardware included

## LED Commercial Vaportights Accessories

Product #	Product Code	Product Description	Packaging Quantity
99632	LVT4CL/MA	40 inch length aircraft cable and hardware	200

Accessories include hardware.

Warranty – Commercial / Industrial: This product is warranted for 1 year from the date of purchase.

